

943 Series Relay

FEATURES

- UL, CSA & TUV safety approval.
- TV-5 rated available.
- UL Class F (155°C) coil insulation type available.
- Nominal power 360 mW.
- Operating power 200 mW.
- Heavy current up to 12 Amps.



UL FILE NO: E162117
 CSA FILE NO: LR107041-1
 TUV FILE NO: R9653010

ORDERING INFORMATION

$\frac{943}{1} - \frac{1A}{2} - \frac{12}{3} \quad \frac{D}{4} \quad \frac{S}{5} - \frac{F}{6}$	
1. Model Number 2. Contact Arrangement 1A = 1 Form A (SPST-NO) 1B = 1 Form B (SPST-NC) 1C = 1 Form C (SPDT) 3. Coil Voltage 3~48V	4. Coil Type D: DC 5. Enclosure Nil = General Type S = Sealed Type 6. Type Of Insulation Nil = Class B F = Class F

COIL RATINGS (at 20°C)

COIL TYPE	Coil Nominal Voltage (V)	Coil Resistance ($\Omega \pm 10\%$)	Pick-Up Voltage (V) \leq	Drop-Out Voltage (V) \geq	Nominal Current (mA)
DC Standard Coils	3	25	2.25	0.3	120
	5	70	3.75	0.5	71
	6	100	4.5	0.6	60
	9	225	6.75	0.9	40
	12	400	9	1.2	30
	18	900	13.5	1.8	20
	24	1600	18	2.4	15
	48	6400	36	4.8	7.5

* Max Continuous Voltage at 20°C: 130% of Coil Nominal Voltage.

CONTACT RATINGS

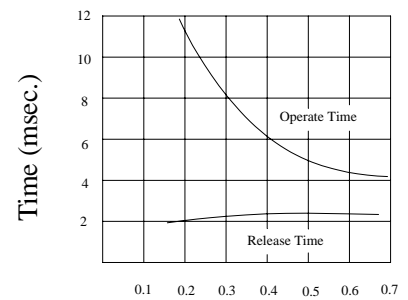
Contact Arrangement	1 Form A (SPST-NO)	1 Form B (SPST-NC)	1 Form C (SPDT)
Max. Switching Power	1750VA 210W	1750VA 210W	1750VA 210W
Max. Switching Voltage	250VAC 30VDC	250VAC 30VDC	250VAC 30VDC
Max. Switching Current	12A	12A	12A
Contact Resistance	≤100mΩ	≤100mΩ	≤100mΩ
Resistive Load	12A/125VAC 7A/250VAC 7A/30VDC	12A/125VAC 7A/250VAC 7A/30VDC	12A/125VAC 7A/250VAC 7A/30VDC
Pilot Duty Load	1.5A Break 5.4A Inrush / 277VAC		
Horse Power Load	FLA 5.8 / LRA 34.8A 240VAC		
TV Rating	TV-5 (SPNO ONLY)		
Contact Material	Ag-CdO		

CHARACTERISTICS

Electrical Life	1×10^5 (12A 125VAC 3×10^3)
Mechanical Life	1×10^7
Initial Insulation Resistance	Min. 100MΩ 500VDC
Contact Resistance (Initial)	≤100mΩ
Operate Time	≤10ms
Release Time	≤5ms
Initial Dielectric Strength	50/60Hz 700VAC 1 min. (between open contact) 50/60Hz 1500VAC 1 min. (between all conductors)
Vibration Resistance	Malfunction: 10 to 55Hz at Double Amplitude of 1.5mm Destructive: 10 to 55Hz at Double Amplitude of 1.5mm
Shock Resistance	Malfunction: 10G (11ms) / Destructive: 100G (6ms)
Ambient Temperature	-30°C ~ +60°C
Relative Humidity	85% at 40°C
Unit Weight	Approx. 10g

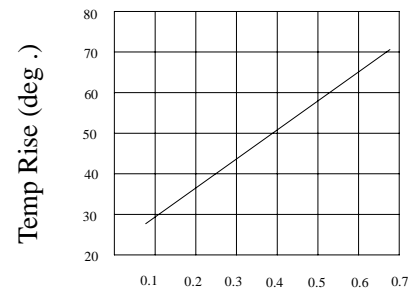
943 Referential Data

Timing



Coil Power (W)

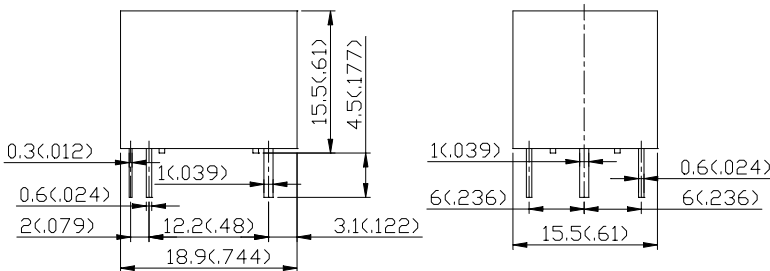
Coil Temperature Rise



Coil Power (W)

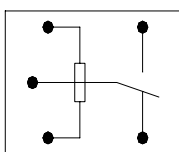
OUTLINE DIMENSIONS

Dimensions

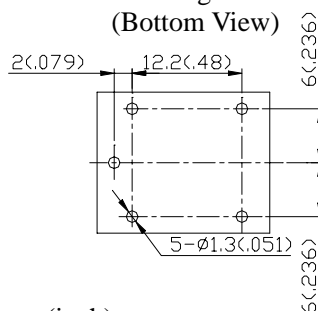


REMARK: Tolerance of outline dimensions: ±0.2(.008).

Internal Connections (Bottom View)

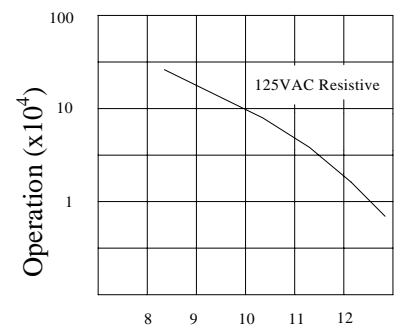


Drilling Plan (Bottom View)



UNIT: mm (inch)

Life Curves



Contact Current (A)